

This Page Is Inserted by IFW Operations
and is not a part of the Official Record

BEST AVAILABLE IMAGES

Defective images within this document are accurate representations of the original documents submitted by the applicant.

Defects in the images may include (but are not limited to):

- BLACK BORDERS
- TEXT CUT OFF AT TOP, BOTTOM OR SIDES
- FADED TEXT
- ILLEGIBLE TEXT
- SKEWED/SLANTED IMAGES
- COLORED PHOTOS
- BLACK OR VERY BLACK AND WHITE DARK PHOTOS
- GRAY SCALE DOCUMENTS

IMAGES ARE BEST AVAILABLE COPY.

**As rescanning documents *will not* correct images,
please do not report the images to the
Image Problem Mailbox.**

(19) World Intellectual Property Organization
International Bureau



(43) International Publication Date
22 November 2001 (22.11.2001)

PCT

(10) International Publication Number
WO 01/87209 A1

(51) International Patent Classification?: **A61F 13/15**,
13/56

Lincoln Street, Neenah, WI 54956 (US). **COUILLARD, Jack, L.**; 1777 Brighton Beach Road, Menasha, WI 54952 (US). **OLSON, Christopher, Peter**; 1012 Pendleton Road, Neenah, WI 54956 (US). **KUEN, David, Arthur**; 1086 Honeysuckle Lane, Neenah, WI 54956 (US).

(21) International Application Number: PCT/US01/15252

(22) International Filing Date: 11 May 2001 (11.05.2001)

(74) Agents: **RAUCH, Melanie, I.**; Pauley Petersen Kinne & Fejer, Suite 365, 2800 West Higgins Road, Hoffman Estates, IL 60195 et al. (US).

(25) Filing Language: English

(26) Publication Language: English

(30) Priority Data:
09/571,904 16 May 2000 (16.05.2000) US

(81) Designated States (*national*): AE, AG, AL, AM, AT, AU, AZ, BA, BB, BG, BR, BY, BZ, CA, CH, CN, CO, CR, CU, CZ, DE, DK, DM, DZ, EC, EE, ES, FI, GB, GD, GE, GH, GM, HR, HU, ID, IL, IN, IS, JP, KE, KG, KP, KR, KZ, LC, LK, LR, LS, LT, LU, LV, MA, MD, MG, MK, MN, MW, MX, MZ, NO, NZ, PL, PT, RO, RU, SD, SE, SG, SI, SK, SL, TJ, TM, TR, TT, TZ, UA, UG, UZ, VN, YU, ZA, ZW.

(71) Applicant: **KIMBERLY-CLARK WORLDWIDE, INC.** [US/US]; 401 North Lake Street, Neenah, WI 54956 (US).

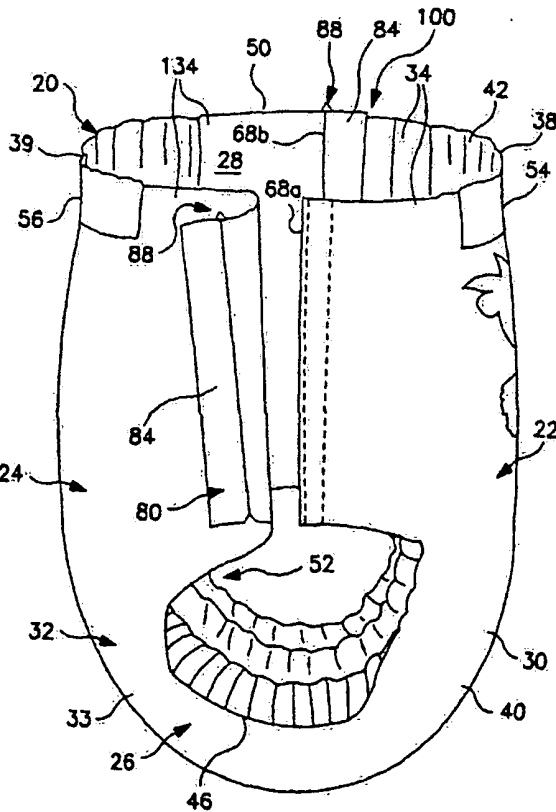
(84) Designated States (*regional*): ARIPO patent (GH, GM, KE, LS, MW, MZ, SD, SL, SZ, TZ, UG, ZW), Eurasian patent (AM, AZ, BY, KG, KZ, MD, RU, TJ, TM), European

(72) Inventors: **POPP, Robert, Lee**; 805 Giese Street, Hortonville, WI 54944 (US). **COENEN, Joseph, D.**; 510

[Continued on next page]

(54) Title: PROCESS FOR MAKING AN ABSORBENT GARMENT WITH REFASTENABLE SIDES AND BUTT SEAMS

(57) Abstract: A method of producing refastenable side seams in an absorbent garment results in an absorbent garment that is adapted to easy application and removal. The refastenable side seams can be produced in a cross direction. Each of the refastenable side seams includes a lap side seam and a standing butt seam. The lap side seam puts the seams under shearing strain during use, as opposed to peel forces.



WO 01/87209 A1



patent (AT, BE, CH, CY, DE, DK, ES, FI, FR, GB, GR, IE, IT, LU, MC, NL, PT, SE, TR), OAPI patent (BF, BJ, CF, CG, CI, CM, GA, GN, GW, ML, MR, NE, SN, TD, TG).

Published:

- with international search report
- before the expiration of the time limit for amending the claims and to be republished in the event of receipt of amendments

Declarations under Rule 4.17:

- as to applicant's entitlement to apply for and be granted a patent (Rule 4.17(ii)) for all designations
- as to the applicant's entitlement to claim the priority of the earlier application (Rule 4.17(iii)) for all designations

For two-letter codes and other abbreviations, refer to the "Guidance Notes on Codes and Abbreviations" appearing at the beginning of each regular issue of the PCT Gazette.

PROCESS FOR MAKING AN ABSORBENT GARMENT WITH REFASTENABLE SIDES AND BUTT SEAMS

FIELD OF THE INVENTION

This invention is directed to a process for making pant-like, personal care absorbent products having hook and loop fasteners on the side panels for ease of removal and donning without complete removal of a wearer's clothing.

BACKGROUND OF THE INVENTION

Pant-like absorbent garments, such as adult incontinence wear as well as infant and children's diapers, swim wear and training pants, typically have adhesive fasteners on the sides for donning and removal, or else rely on the waist opening and leg openings to slide on and off the wearer. Adhesive fasteners wear out in as little as one use. Therefore, if a care giver checks the status of the wearer's absorbent garment contents by unfastening an adhesive fastener, the garment often must be replaced due to a worn out adhesive fastener even if the absorbent garment itself is not in need of changing.

Absorbent garments that slide on and off a wearer are often messy when full. Furthermore, in order to remove such absorbent garments, the wearer's clothing covering the absorbent garments, such as pants, must be completely removed. Checking the status of the wearer's absorbent garment contents is often just as cumbersome as changing the absorbent garment.

There is a need or desire for a process for making pant-like, personal care absorbent garments that have refastenable side seams for ease of removal and donning without complete removal of a wearer's clothing.

SUMMARY OF THE INVENTION

The present invention is directed to a process for making pant-like absorbent garments having hook and loop fasteners applied at the sides of the garments. The process is carried out on a plurality of garment assemblies in a cross direction.

In the process of the invention, a pair of fastening components is attached near planned distal edges of either two front side panels or two back side panels of each garment assembly. Adjacent garment assemblies are then separated by cutting between the fastening components between adjacent assemblies, from a waist opening to a leg opening. A mating fastening component is placed over two of the adjacent fastening components, thereby

covering the separation space between adjacent assemblies and joining the side panels of the adjacent assemblies together again. The garment assemblies are then removed from the vacuum device, folded longitudinally, and bonded such that the mating fastening components are bonded to the side panels opposite the side panels to which the fastening components are bonded, in the separation space between adjacent fastening components. Adjacent back side panels are then cut through the bonded area, thereby severing the mating fastening components into two halves and separating adjacent garment assemblies from one another.

The resulting absorbent garments have a pair of refastenable lap side seams and a standing butt seam and can be easily fitted to and removed from a wearer without complete removal of a wearer's clothing. The refastenable side seams extend from a waist opening to each of two leg openings between a front panel and a back panel. Each of the refastenable side seams includes a fastening component and a mating fastening component, each of which comprises either a hook material or a loop material. The refastenable side seams experience a shearing strain during use, as opposed to peel forces, thereby reducing the likelihood of the seams opening unexpectedly.

With the foregoing in mind, it is a feature and advantage of the invention to provide a process for making a pant-like absorbent garment that can be easily applied to and easily removed from a wearer without the need to entirely remove the wearer's clothing.

BRIEF DESCRIPTION OF THE DRAWINGS

Fig. 1 is a side perspective view of an absorbent garment having refastenable sides and butt seams;

Fig. 2 is a plan view of an absorbent garment in a partially disassembled, stretched flat state, and showing the surface of the article that faces away from the wearer when the article is worn;

Fig. 3 is a plan view of an absorbent garment in a partially disassembled, stretched flat state, and showing the surface of the article that faces the wearer when the article is worn, and with portions cut away to show the underlying features;

Fig. 4 is a plan view of a cross direction assembly for producing an absorbent garment having refastenable sides and butt seams;

Fig. 5 is a top view of a fastening system during assembly in an absorbent garment having refastenable sides and butt seams;

Fig. 6 is a top view of an absorbent garment having refastenable sides and butt seams;

Fig. 7 is a top view of an absorbent garment having refastenable sides and butt seams;

Fig. 8 is a top view of an absorbent garment having refastenable sides and butt seams; and

Fig. 9 is a top view of an absorbent garment having refastenable sides and butt seams.

DEFINITIONS

Within the context of this specification, each term or phrase below will include the following meaning or meanings.

“Bonded” refers to the joining, adhering, connecting, attaching, or the like, of two elements. Two elements will be considered to be bonded together when they are bonded directly to one another or indirectly to one another, such as when each is directly bonded to intermediate elements.

“Connected” refers to the joining, adhering, bonding, attaching, or the like, of two elements. Two elements will be considered to be connected together when they are connected directly to one another or indirectly to one another, such as when each is directly connected to intermediate elements.

“Cross direction” refers to the width of a fabric in a direction generally perpendicular to the direction in which it is produced, as opposed to “machine direction” which refers to the length of a fabric in the direction in which it is produced.

“Cross direction assembly” refers to a process in which disposable absorbent products are manufactured in an orientation in which the products are connected side-to-side, in the transverse direction shown by arrow 49 in Fig. 3, a process utilizing a cross direction assembly entails products traveling through a converting machine parallel to the direction of arrow 49, as opposed to “machine direction assembly” in which the products are connected end-to-end or waist-to-waist.

“Disposable” refers to articles which are designed to be discarded after a limited use rather than being laundered or otherwise restored for reuse.

“Disposed,” “disposed on,” and variations thereof are intended to mean that one element can be integral with another element, or that one element can be a separate structure bonded to or placed with or placed near another element.

5 “Elastic,” “elasticized” and “elasticity” mean that property of a material or composite by virtue of which it tends to recover its original size and shape after removal of a force causing a deformation.

10 “Elastomeric” refers to a material or composite which can be elongated by at least 25 percent of its relaxed length and which will recover, upon release of the applied force, at least 10 percent of its elongation. It is generally preferred that the elastomeric material or composite be capable of being elongated by at least 100 percent, more preferably by at least 300 percent, of its relaxed length and recover, upon release of an applied force, at least 50 percent of its elongation.

15 “Fabrics” is used to refer to all of the woven, knitted and nonwoven fibrous webs.

20 “Film” refers to a thermoplastic film made using a film extrusion and/or foaming process, such as a cast film or blown film extrusion process. The term includes apertured films, slit films, and other porous films which constitute liquid transfer films, as well as films which do not transfer liquid.

25 “Flexible” refers to materials which are compliant and which will readily conform to the general shape and contours of the wearer’s body.

30 “Hydrophilic” describes fibers or the surfaces of fibers which are wetted by the aqueous liquids in contact with the fibers. The degree of wetting of the materials can, in turn, be described in terms of the contact angles and the surface tensions of the liquids and materials involved. Equipment and techniques suitable for measuring the wettability of particular fiber materials or blends of fiber materials can be provided by a Cahn SFA-222 Surface Force Analyzer System, or a substantially equivalent system. When measured with this system, fibers having contact angles less than 90° are designated “wetable” or hydrophilic, while fibers having contact angles greater than 90° are designated “nonwetable” or hydrophobic.

35 “Integral” or “integrally” is used to refer to various portions of a single unitary element rather than separate structures bonded to or placed with or placed near one another.

“Layer” when used in the singular can have the dual meaning of a single element or a plurality of elements.

“Liquid impermeable,” when used in describing a layer or multi-layer laminate, means that a liquid, such as urine, will not pass through the layer or laminate, under ordinary use conditions, in a direction generally perpendicular to the plane of the layer or laminate at the point of liquid contact. Liquid, or urine, may spread or be transported parallel to the plane of the liquid impermeable layer or laminate, but this is not considered to be within the meaning of “liquid impermeable” when used herein.

“Liquid permeable material” or “liquid water-permeable material” refers to a material present in one or more layers, such as a film, nonwoven fabric, or open-celled foam, which is porous, and which is water permeable due to the flow of water and other aqueous liquids through the pores. The pores in the film or foam, or spaces between fibers or filaments in a nonwoven web, are large enough and frequent enough to permit leakage and flow of liquid water through the material.

“Longitudinal” and “transverse” have their customary meaning, as indicated by the longitudinal and transverse axes depicted in Fig. 3. The longitudinal axis lies in the plane of the article and is generally parallel to a vertical plane that bisects a standing wearer into left and right body halves when the article is worn. The transverse axis lies in the plane of the article generally perpendicular to the longitudinal axis. The article as illustrated is longer in the longitudinal direction than in the transverse direction.

“Machine direction” refers to the length of a fabric in the direction in which it is produced, as opposed to “cross direction” which refers to the width of a fabric in a direction generally perpendicular to the machine direction.

“Machine direction assembly” refers to a process in which disposable absorbent products are manufactured in an orientation in which the products are connected end-to-end or waist-to-waist, in the longitudinal direction shown by arrow 48 in Fig. 3, a process utilizing a machine direction assembly entails products traveling through a converting machine parallel to the direction of arrow 48, as opposed to “cross direction assembly” in which the products are connected side-to-side.

“Meltblown fiber” means fibers formed by extruding a molten thermoplastic material through a plurality of fine, usually circular, die capillaries as molten threads or

filaments into converging high velocity heated gas (e.g., air) streams which attenuate the filaments of molten thermoplastic material to reduce their diameter, which may be to microfiber diameter. Thereafter, the meltblown fibers are carried by the high velocity gas stream and are deposited on a collecting surface to form a web of randomly dispersed meltblown fibers. Such a process is disclosed for example, in U.S. Patent 3,849,241 to Butin et al. Meltblown fibers are microfibers which may be continuous or discontinuous, are generally smaller than about 0.6 denier, and are generally self bonding when deposited onto a collecting surface. Meltblown fibers used in the present invention are preferably substantially continuous in length.

10 “Member” when used in the singular can have the dual meaning of a single element or a plurality of elements.

 “Nonwoven” and “nonwoven web” refer to materials and webs of material which are formed without the aid of a textile weaving or knitting process.

15 “Operatively joined,” in reference to the attachment of an elastic member to another element, means that the elastic member when attached to or connected to the element, or treated with heat or chemicals, by stretching, or the like, gives the element elastic properties; and with reference to the attachment of a non-elastic member to another element, means that the member and element can be attached in any suitable manner that permits or allows them to perform the intended or described function of the joiner. The joining, attaching, connecting or the like can be either directly, such as joining either member directly to an element, or can be indirectly by means of another member disposed between the first member and the first element.

20 “Peel force” and “peel strain” refer to forces that tend to pull two adjoining bodies away from one another in opposite directions generally perpendicular to a plane in which the bodies are joined.

25 “Permanently bonded” refers to the joining, adhering, connecting, attaching, or the like, of two elements of an absorbent garment such that the elements tend to be and remain bonded during normal use conditions of the absorbent garment.

30 “Polymers” include, but are not limited to, homopolymers, copolymers, such as for example, block, graft, random and alternating copolymers, terpolymers, etc. and blends and modifications thereof. Furthermore, unless otherwise specifically limited, the

term "polymer" shall include all possible geometrical configurations of the material. These configurations include, but are not limited to isotactic, syndiotactic and atactic symmetries.

"Refastenable" refers to the property of two elements being capable of releasable attachment, separation, and subsequent releasable reattachment without substantial permanent deformation or rupture.

"Releasably attached," "releasably engaged" and variations thereof refer to two elements being connected or connectable such that the elements tend to remain connected absent a separation force applied to one or both of the elements, and the elements being capable of separation without substantial permanent deformation or rupture. The required separation force is typically beyond that encountered while wearing the absorbent garment.

"Shearing strain" refers to forces that tend to produce an opposite but parallel sliding motion between two bodies' planes.

"Spunbonded fiber" refers to small diameter fibers which are formed by extruding molten thermoplastic material as filaments from a plurality of fine capillaries of a spinnerette having a circular or other configuration, with the diameter of the extruded filaments then being rapidly reduced as by, for example, in U.S. Patent 4,340,563 to Appel et al., and U.S. Patent 3,692,618 to Dorschner et al., U.S. Patent 3,802,817 to Matsuki et al., U.S. Patents 3,338,992 and 3,341,394 to Kinney, U.S. Patent 3,502,763 to Hartmann, U.S. Patent 3,502,538 to Petersen, and U.S. Patent 3,542,615 to Dobo et al., each of which is incorporated herein in its entirety by reference. Spunbond fibers are quenched and generally not tacky when they are deposited onto a collecting surface. Spunbond fibers are generally continuous and often have average deniers larger than about 0.3, more particularly, between about 0.6 and 10.

"Stretchable" means that a material can be stretched, without breaking, to at least 150% of its initial (unstretched) length in at least one direction, suitably to at least 200% of its initial length, desirably to at least 250% of its initial length.

"Superabsorbent" or "superabsorbent material" refers to a water-swellaable, water-insoluble organic or inorganic material capable, under the most favorable conditions, of absorbing at least about 15 times its weight and, more desirably, at least about 30 times its weight in an aqueous solution containing 0.9 weight percent sodium chloride. The

superabsorbent materials can be natural, synthetic and modified natural polymers and materials. In addition, the superabsorbent materials can be inorganic materials, such as silica gels, or organic compounds such as cross-linked polymers.

“Surface” includes any layer, film, woven, nonwoven, laminate, composite, or the like, whether pervious or impervious to air, gas, and/or liquids.

“Thermoplastic” describes a material that softens when exposed to heat and which substantially returns to a nonsoftened condition when cooled to room temperature.

These terms may be defined with additional language in the remaining portions of the specification.

DETAILED DESCRIPTION OF THE PRESENTLY PREFERRED EMBODIMENTS

The present invention is directed to a process for making a pant-like absorbent garment having refastenable fasteners, such as hook and loop fasteners, on the side panels for ease of removal and donning of the absorbent garment without complete removal of a wearer's clothing.

The principles of the present invention can be incorporated into any suitable disposable absorbent article. Examples of such suitable articles include diapers, training pants, feminine hygiene products, incontinence products, other personal care or health care garments, or the like. For ease of explanation, the description hereafter will be in terms of a child's training pant.

Referring to Fig. 1, a disposable absorbent article, such as a training pant 20, is illustrated in a partially fastened condition. The training pant 20 includes an absorbent chassis 32 and a fastening system 80. The absorbent chassis 32 defines a front region 22, a back region 24, a crotch region 26 interconnecting the front and back regions, an inner surface 28 which is configured to contact the wearer, and an outer surface 30 opposite the inner surface which is configured to contact the wearer's clothing. With additional reference to Figs. 2 and 3, the absorbent chassis 32 also defines a pair of transversely opposed side edges 36 and a pair of longitudinally opposed waist edges, which are designated front waist edge 38 and back waist edge 39. The front region 22 is contiguous with the front waist edge 38, and the back region 24 is contiguous with the back waist edge 39.

The illustrated absorbent chassis 32 includes a rectangular composite structure 33, a pair of transversely opposed front side panels 34, and a pair of transversely opposed back side panels 134. The composite structure 33 and side panels 34 and 134 may be integrally formed, as shown in Fig. 1, or may include two or more separate elements, as shown in Figs. 2 and 3. The illustrated composite structure 33 includes an outer cover 40, a bodyside liner 42 which is connected to the outer cover in a superposed relation, an absorbent assembly 44 (Fig. 3) which is located between the outer cover 40 and the bodyside liner 42, and a pair of containment flaps 46 (Fig. 3). The rectangular composite structure 33 has opposite linear end edges 45 that form portions of the front and back waist edges 38 and 39, and opposite linear side edges 47 that form portions of the side edges 36 of the absorbent chassis 32 (Figs. 2 and 3). For reference, arrows 48 and 49 depicting the orientation of the longitudinal axis and the transverse axis, respectively, of the training pant 20 are illustrated in Figs. 2 and 3.

With the training pant 20 in the fastened position as partially illustrated in Fig. 1, the front and back regions 22 and 24 are joined together to define a three-dimensional pant configuration having a waist opening 50 and a pair of leg openings 52. The front region 22 includes the portion of the training pant 20 which, when worn, is positioned on the front of the wearer while the back region 24 includes the portion of the training pant which, when worn, is positioned on the back of the wearer. The crotch region 26 of the training pant 20 includes the portion of the training pant which, when worn, is positioned between the legs of the wearer and covers the lower torso of the wearer. The front and back side panels 34 and 134 include the portions of the training pant 20 which, when worn, are positioned on the hips of the wearer.

The front region 22 of the absorbent chassis 32 includes the transversely opposed front side panels 34 and a front center panel 35 (Figs. 2 and 3) positioned between and interconnecting the side panels, along with a front waist elastic member 54 and any other connected components. The back region 24 of the absorbent chassis 32 includes the transversely opposed back side panels 134 and a back center panel 135 (Figs. 2 and 3) positioned between and interconnecting the side panels, as well as a rear waist elastic member 56 and any other connected components. The waist edges 38 and 39 of the absorbent chassis 32 are configured to encircle the waist of the wearer when worn and

provide the waist opening 50 which defines a waist perimeter dimension. Portions of the transversely opposed side edges 36 in the crotch region 26 generally define the leg openings 52.

5 The absorbent chassis 32 is configured to contain and/or absorb any body exudates discharged from the wearer. For example, the absorbent chassis 32 desirably although not necessarily includes the pair of containment flaps 46 which are configured to provide a barrier to the transverse flow of body exudates. A flap elastic member 53 (Fig. 3) is operatively joined with each containment flap 46 in any suitable manner as is well known in the art. The elasticized containment flaps 46 define an unattached edge which assumes
10 an upright, generally perpendicular configuration in at least the crotch region 26 of the training pant 20 to form a seal against the wearer's body. The containment flaps 46 can be located along the transversely opposed side edges of the absorbent chassis 32, and can extend longitudinally along the entire length of the absorbent chassis or may only extend partially along the length of the absorbent chassis. Suitable constructions and arrangements
15 for the containment flaps 46 are generally well known to those skilled in the art and are described in U.S. Patent 4,704,116 issued November 3, 1987 to Enloe, which is incorporated herein by reference.

To further enhance containment and/or absorption of body exudates, the training pant 20 desirably includes the front waist elastic member 54, the rear waist elastic
20 member 56, and leg elastic members 58, as are known to those skilled in the art (Fig. 3). The waist elastic members 54 and 56 can be operatively joined to the outer cover 40 and/or bodyside liner 42 along the opposite waist edges 38 and 39, and can extend over part or all of the waist edges. The leg elastic members 58 are desirably operatively joined to the outer
25 cover 40 and/or bodyside liner 42 along the opposite side edges 36 and positioned in the crotch region 26 of the training pant 20. The leg elastic members 58 are desirably longitudinally aligned along each side edge 47 of the composite structure 33. Each leg elastic member 58 has a front terminal point 63 and a back terminal point 65, which points represent the longitudinal ends of the elastic gathering caused by the leg elastic members. The front terminal points 63 are desirably located adjacent the longitudinally innermost parts
30 of the front side panels 34, and the back terminal points 65 are desirably located adjacent the longitudinally innermost parts of the back side panels 134.

impermeable inner layer, or a single layer liquid impermeable outer cover 40, is a 0.2 millimeter polyethylene film commercially available from Huntsman Packaging of Newport News, Virginia, U.S.A. If the outer cover 40 is a single layer of material, it can be embossed and/or matte finished to provide a more cloth-like appearance. As earlier mentioned, the liquid impermeable material can permit vapors to escape from the interior of the disposable absorbent article, while still preventing liquids from passing through the outer cover 40. A suitable "breathable" material is composed of a microporous polymer film or a nonwoven fabric that has been coated or otherwise treated to impart a desired level of liquid impermeability. A suitable microporous film is a PMP-1 film material commercially available from Mitsui Toatsu Chemicals, Inc., Tokyo, Japan, or an XKO-8044 polyolefin film commercially available from 3M Company, Minneapolis, Minnesota.

The liquid permeable bodyside liner 42 is illustrated as overlying the outer cover 40 and absorbent assembly 44, and may but need not have the same dimensions as the outer cover 40. The bodyside liner 42 is desirably compliant, soft feeling, and non-irritating to the child's skin. Further, the bodyside liner 42 can be less hydrophilic than the absorbent assembly 44, to present a relatively dry surface to the wearer and permit liquid to readily penetrate through its thickness.

The bodyside liner 42 can be manufactured from a wide selection of web materials, such as synthetic fibers (for example, polyester or polypropylene fibers), natural fibers (for example, wood or cotton fibers), a combination of natural and synthetic fibers, porous foams, reticulated foams, apertured plastic films, or the like. Various woven and nonwoven fabrics can be used for the bodyside liner 42. For example, the bodyside liner can be composed of a meltblown or spunbonded web of polyolefin fibers. The bodyside liner can also be a bonded-carded web composed of natural and/or synthetic fibers. The bodyside liner can be composed of a substantially hydrophobic material, and the hydrophobic material can, optionally, be treated with a surfactant or otherwise processed to impart a desired level of wettability and hydrophilicity. For example, the material can be surface treated with about 0.45 weight percent of a surfactant mixture including AHCVEL® N-62 from Hodgson Textile Chemicals of Mount Holly, North Carolina, U.S.A. and GLUCOPON® 220UP from Henkel Corporation of Ambler, Pennsylvania, in an active ratio of 3:1. The surfactant can be applied by any conventional means, such as spraying, printing, brush

coating or the like. The surfactant can be applied to the entire bodyside liner 42 or can be selectively applied to particular sections of the bodyside liner, such as the medial section along the longitudinal centerline.

5 A suitable liquid permeable bodyside liner 42 is a nonwoven bicomponent web having a basis weight of about 27 gsm. The nonwoven bicomponent can be a spunbond bicomponent web, or a bonded carded bicomponent web. Suitable bicomponent staple fibers include a polyethylene/polypropylene bicomponent fiber available from CHISSO Corporation, Osaka, Japan. In this particular bicomponent fiber, the polypropylene forms the core and the polyethylene forms the sheath of the fiber. Other fiber orientations are possible, such as multi-lobe, side-by-side, end-to-end, or the like. While the outer cover 40 and bodyside liner 42 can include elastomeric materials, it can be desirable in some 10 embodiments for the composite structure to be generally inelastic, where the outer cover, the bodyside liner and the absorbent assembly include materials that are generally not elastomeric.

15 The absorbent assembly 44 (Fig. 3) is positioned between the outer cover 40 and the bodyside liner 42, which components can be joined together by any suitable means, such as adhesives, as is well known in the art. The absorbent assembly 44 can be any structure which is generally compressible, conformable, non-irritating to the child's skin, and capable of absorbing and retaining liquids and certain body wastes. The absorbent 20 assembly 44 can be manufactured in a wide variety of sizes and shapes, and from a wide variety of liquid absorbent materials commonly used in the art. For example, the absorbent assembly 44 can suitably include a matrix of hydrophilic fibers, such as a web of cellulosic fluff, mixed with particles of a high-absorbency material commonly known as superabsorbent material. In a particular embodiment, the absorbent assembly 44 includes a 25 matrix of cellulosic fluff, such as wood pulp fluff, and superabsorbent hydrogel-forming particles. The wood pulp fluff can be exchanged with synthetic, polymeric, meltblown fibers or with a combination of meltblown fibers and natural fibers. The superabsorbent particles can be substantially homogeneously mixed with the hydrophilic fibers or can be nonuniformly mixed. The fluff and superabsorbent particles can also be selectively placed 30 into desired zones of the absorbent assembly 44 to better contain and absorb body exudates. The concentration of the superabsorbent particles can also vary through the thickness of the

absorbent assembly 44. Alternatively, the absorbent assembly 44 can include a laminate of fibrous webs and superabsorbent material or other suitable means of maintaining a superabsorbent material in a localized area.

Suitable superabsorbent materials can be selected from natural, synthetic, and modified natural polymers and materials. The superabsorbent materials can be inorganic materials, such as silica gels, or organic compounds, such as crosslinked polymers. Suitable superabsorbent materials are available from various commercial vendors, such as Dow Chemical Company located in Midland, Michigan, U.S.A., and Stockhausen GmbH & Co. KG, D-47805 Krefeld, Federal Republic of Germany. Typically, a superabsorbent material is capable of absorbing at least about 15 times its weight in water, and desirably is capable of absorbing more than about 25 times its weight in water.

In one embodiment, the absorbent assembly 44 is generally rectangular in shape, and includes a blend of wood pulp fluff and superabsorbent material. One preferred type of fluff is identified with the trade designation CR1654, available from U.S. Alliance, Childersburg, Alabama, U.S.A., and is a bleached, highly absorbent sulfate wood pulp containing primarily soft wood fibers. As a general rule, the superabsorbent material is present in the absorbent assembly 44 in an amount of from about 5 to about 90 weight percent based on total weight of the absorbent assembly. The absorbent assembly 44 suitably has a density within the range of about 0.10 to about 0.50 grams per cubic centimeter. The absorbent assembly 44 may or may not be wrapped or encompassed by a suitable tissue wrap that maintains the integrity and/or shape of the absorbent assembly.

The absorbent chassis 32 can also incorporate other materials that are designed primarily to receive, temporarily store, and/or transport liquid along the mutually facing surface with the absorbent assembly 44, thereby maximizing the absorbent capacity of the absorbent assembly. One suitable material is referred to as a surge layer (not shown) and includes a material having a basis weight of about 50 to about 120 grams per square meter, and including a through-air-bonded-carded web of a homogenous blend of 60 percent 3 denier type T-256 bicomponent fiber including a polyester core/polyethylene sheath and 40 percent 6 denier type T-295 polyester fiber, both commercially available from Kosa Corporation of Salisbury, North Carolina, U.S.A.

As noted previously, the illustrated training pant 20 has front and back side panels 34 and 134 disposed on each side of the absorbent chassis 32. These transversely opposed front side panels 34 and transversely opposed back side panels 134 can be permanently bonded to the composite structure 33 of the absorbent chassis 32 in the respective front and back regions 22 and 24, and are releasably attached to one another by a fastening system 80. More particularly, as shown best in Figs. 2 and 3, the front side panels 34 can be permanently bonded to and extend transversely beyond the linear side edges 47 of the composite structure 33 in the front region 22 along attachment lines 66, and the back side panels 134 can be permanently bonded to and extend transversely beyond the linear side edges of the composite structure in the back region 24 along attachment lines 66. The side panels 34 and 134 may be attached using attachment means known to those skilled in the art such as adhesive, thermal or ultrasonic bonding. The side panels 34 and 134 can also be formed as a portion of a component of the composite structure 33, such as the outer cover 40 or the bodyside liner 42, as shown in Fig. 1.

In particular embodiments for improved fit and appearance, the side panels 34 and 134 desirably have an average length dimension measured parallel to the longitudinal axis 48 that is about 20 percent or greater, and particularly about 25 percent or greater, of the overall length dimension of the absorbent article, also measured parallel to the longitudinal axis 48. For example, in training pants having an overall length dimension of about 54 centimeters, the side panels 34 and 134 desirably have an average length dimension of about 10 centimeters or greater, such as about 15 centimeters. While each of the side panels 34 and 134 extend from the waist opening 50 to one of the leg openings 52, the back side panels 134 have a continually decreasing length dimension moving from the attachment line 66 to a distal edge 68b of the back panel 134, as is best shown in Figs. 2 and 3.

Each of the side panels 34 and 134 can include one or more individual, distinct pieces of material. In particular embodiments, for example, each side panel 34 and 134 can include first and second side panel portions that are joined at a seam, with at least one of the portions including an elastomeric material. Still alternatively, each individual side panel 34 and 134 can include a single piece of material which is folded over upon itself along an intermediate fold line (not shown).

The side panels 34 and 134 desirably include an elastic material capable of stretching in a direction generally parallel to the transverse axis 49 of the training pant 20. In particular embodiments, the front and back side panels 34 and 134 may each include an interior portion 78 disposed between the distal edge 68a, 68b and the respective front or back center panel 35 or 135. In the illustrated embodiment in Fig. 3, the interior portions 78 are disposed between the distal edges 68a, 68b and the side edges 47 of the rectangular composite structure 33. The elastic material of the side panels 34 and 134 can be disposed in the interior portions 78 to render the side panels elastomeric in a direction generally parallel to the transverse axis 49. Most desirably, each side panel 34 and 134 is elastomeric from a waist end edge 72 to a leg end edge 70. More specifically, individual samples of side panel material, taken between the waist end edge 72 and the leg end edge 70 parallel to the transverse axis 49 and having a length from the attachment line 66 to the distal edge 68a, 68b and a width of about 2 centimeters, are all elastomeric.

Suitable elastic materials, as well as one described process of incorporating elastic side panels into a training pant, are described in the following U.S. Patents: 4,940,464 issued July 10, 1990 to Van Gompel et al.; 5,224,405 issued July 6, 1993 to Pohjola; 5,104,116 issued April 14, 1992 to Pohjola; and 5,046,272 issued September 10, 1991 to Vogt et al.; all of which are incorporated herein by reference. In particular embodiments, the elastic material includes a stretch-thermal laminate (STL), a neck-bonded laminated (NBL), a reversibly necked laminate, or a stretch-bonded laminate (SBL) material. Methods of making such materials are well known to those skilled in the art and described in U.S. Patent 4,663,220 issued May 5, 1987 to Wisneski et al.; U.S. Patent 5,226,992 issued July 13, 1993 to Morman; and European Patent Application No. EP 0 217 032 published on April 8, 1987 in the names of Taylor et al.; all of which are incorporated herein by reference. Alternatively, the side panel material may include other woven or nonwoven materials, such as those described above as being suitable for the outer cover 40 or bodyside liner 42, or stretchable but inelastic materials.

The training pant 20 according to the present invention also includes a fastening system 80 for securing the training pant about the waist of the wearer (Fig. 1). The illustrated fastening system 80 includes fastening components 82 that are adapted to refastenably connect to mating fastening components 84. In one embodiment, one surface

of each of the fastening components 82 and 84 includes a plurality of engaging elements that project from that surface. The engaging elements of these fastening components 82 are adapted to repeatedly engage and disengage the engaging elements of the mating fastening components 84.

5 In one particular embodiment, the fastening components 82 each include hook type fasteners and the mating fastening components 84 each include complementary loop type fasteners. In another particular embodiment, the fastening components 82 each include loop type fasteners and the mating fastening components 84 each include complementary hook type fasteners. The fastening components 82 and the mating fastening components 84
10 are desirably rectangular, although they may alternatively be square, round, oval, curved or otherwise non-rectangularly shaped.

 Loop type fasteners typically include a fabric or material having a base or backing structure and a plurality of loop members extending upwardly from at least one surface of the backing structure. The loop material can be formed of any suitable material,
15 such as acrylic, nylon or polyester, and can be formed by methods such as warp knitting, stitch bonding or needle punching. Suitable loop materials are available from Guilford Mills, Inc., Greensboro, North Carolina, U.S.A. under the trade designation No. 36549.

 Hook type fasteners typically include a fabric or material having a base or backing structure and a plurality of hook members extending upwardly from at least one
20 surface of the backing structure. In contrast to the loop type fasteners which desirably include a flexible fabric, the hook material advantageously includes a resilient material to minimize unintentional disengagement of the fastener components as a result of the hook material becoming deformed and catching on clothing or other items. The term "resilient"
25 as used herein refers to an interlocking material having a predetermined shape and the property of the interlocking material to resume the predetermined shape after being engaged and disengaged from a mating, complementary interlocking material. Suitable hook material can be molded or extruded of nylon, polypropylene or another suitable material. Suitable single-sided hook materials for the fastening components 82 or the mating fastening components 84 are available from Velcro Industries B.V., Amsterdam, Netherlands or
30 affiliates thereof, and are identified as Velcro HTH-829 with a uni-directional hook pattern

and having a thickness of about 0.089 millimeters (3.5 mils) and HTH-851 with a uni-directional hook pattern and having a thickness of about 0.051 millimeters (2 mils).

With particular reference to Fig. 4, a plurality of garment assemblies 90 aligned in a cross direction is shown. The garment assembly 90 includes a lamination of films and nonwovens, including a bodyside liner 42 and an outer cover 40, together with waist elastics 54 and 56, leg elastics 58, and an absorbent assembly 44, as described above, placed on a vacuum device (not shown). Adjacent garment assemblies 90 are joined between the back side panel 134 and the front side panel 34. The exposed surface of the garment assembly 90 can be either the inner surface 28 of the chassis 32, as shown in Fig. 4, or the outer surface 30 of the chassis 32.

In carrying out the invention, two fastening components 82 are bonded to the front side panels 134 near the planned locations of the distal edges 68a, with a spacing 81 of roughly 0.25-1.0 inch between fastening components 82 on adjacent garment assemblies 90. The fastening components 82 can be bonded to the front side panels 34 with ultrasonic, thermal, or adhesive bonds, or other means.

Adjacent garment assemblies 90 are then separated at the front side panels 34 by cutting along dotted line 92 from the waist 50 to the leg opening 52 (Fig. 4) between adjacent fastening components 82. When the assemblies 90 are cut, the elastic property of the front side panels 34 causes the front side panels 34 to snap back from the cutting line 92 to the fastening components 82, creating a gap 79. Alternatively, a section of the adjoining front side panels 34 between adjacent fastening components 82 can be cut out to create the gap 79, thereby ensuring that each of the fastening components 82 is closely aligned with the corresponding resulting front distal edge 68a.

Referring to Fig. 4, a mating fastening component 84 is placed over two of the adjacent fastening components 82, thereby covering the gap 79 with the mating fastening component 84 and joining the front side panels 34 of the adjacent assemblies 90 together again. The garment assemblies 90 are then removed from the vacuum device, folded longitudinally and bonded such that adjacent back side panels 134 and/or adjacent rear elastic bands 56 are bonded to the mating fastening component 84, at bonding seam 94, as shown in Fig. 5, between the adjacent fastening components 82, and further in the gap 79

between the distal edges 68a. The bonding seam 94 must not attach the distal edge 68a to the fastening component 84.

Adjacent back side panels 134 are then cut through the bonding seam 94, and the mating fastening components 84 are severed into two halves, along cut line 93 shown in Fig. 5, thereby separating adjacent garment assemblies 90 from one another. Each resulting garment 20 has a fastening component 82 near each distal edge 68a of front elastic members 54 and a mating fastening component 84 (constituting one-half of an original component 84) attached along each distal edge 68b, as shown in Fig. 6.

A standing butt seam 88 is thereby formed between the fastening component 84 and the back side panel 134, as shown in Figs. 1 and 6. As used herein, the term "standing butt seam" refers to a seam wherein two separate pieces of substrate are bonded together face-to-face or back-to-back in close proximity to an outer edge of each of the pieces of substrate, and the outer edges of the pieces of substrate project outward from the finished product, placing the seam 88 in peel, as opposed to shearing strain.

The resulting absorbent garment 20, shown in Fig. 1, has refastenable, prefastened hook and loop fasteners, oriented as lap side seams 100, along the distal edges 68a and 68b of the front and back side panels 34 and 134. The resulting orientation puts the prefastened, refastenable seams 100 under shearing strain during use, as opposed to peel forces. The term "lap side seam," as used herein, refers to a seam connecting the front and back side panels 34 and 134 or materials bonded thereto, such as fastening components 82 and 84, such that the front and back side panels and/or materials bonded thereto overlap and the seam is located between the distal edges 68a and 68b of the front and back side panels 34 and 134. The refastenable lap side seams experience a shearing strain during use, as opposed to peel forces, thereby reducing the likelihood of the seams opening unexpectedly.

An alternative embodiment of the present invention, similar to the previous embodiment, can be produced by bonding the fastening components 82 to the back side panels 134 near the planned locations of the distal edges 68b, instead of to the front side panels 34. This method is further carried out by cutting between adjacent back side panels 134, placing a mating fastening component 84 over two adjacent fastening components 82, thereby covering the gap 79 with the mating fastening component 84 and

joining the adjacent back side panels 134 together again. The garment assemblies 90 are then removed from the vacuum device, folded longitudinally and bonded such that adjacent front side panels 34 and/or adjacent front elastic bands 54 are bonded, as shown in Fig. 7, to the mating fastening component at the bonding seam 94 on the fastening component between the adjacent fastening components 82, and further in the gap 79 between the distal edges 68b. A standing butt seam 88 is thereby formed between the fastening component 84 and the front side panel 34.

Yet another alternative embodiment of the present invention can be produced by following the same assembly procedure as illustrated in Fig. 4, but instead of bonding the fastening components 82 to the inner surface 28 of the chassis 32, the outer surface 30 is exposed and the fastening components 82 are bonded thereto. Furthermore, the fastening components 82 can be bonded either to the front region 22 near the planned locations of the distal edges 68a, as shown in Fig. 8, or to the back region 24 near the planned locations of the distal edges 68b, as shown in Fig. 9. As in the assembly procedure described in relation to Fig. 4, the garment assemblies 90 are removed from the vacuum device, folded longitudinally and bonded such that the adjacent back side panels 134 and/or adjacent rear elastic bands 56 are bonded, as shown in Fig. 8, to the mating fastening component 84, or folded in the same manner and bonded such that the adjacent front side panels 34 and/or adjacent front elastic bands 54 are bonded, as shown in Fig. 9.

The product resulting from the invention is an absorbent product 20, shown in Fig. 1, having refastenable, prefastened hook and loop fasteners, oriented as lap side seams 100, along the distal edges 68a or 68b of either the front or back side panels 34, 134, with standing butt seams 88 along the opposite distal edges 68a or 68b. The resulting orientation of the lap-side seams 100 puts the prefastened seams under shearing strain during use, as opposed to peel forces. The term "lap side seam," as used herein, refers to a seam connecting the front and back side panels 34 and 134 or materials bonded thereto, such as fastening components 82 and 84, such that the front and back side panels and/or materials bonded thereto overlap and the seam is located between the distal edges 68a and 68b of the front and rear side panels 34 and 134.

The absorbent chassis 32 and the fastening system 80 together define a refastenable product having a waist opening 50 and a pair of leg openings 52. When the

fastening system is engaged, it can be appreciated that the refastenable product includes a pair of elastomeric front side panels 34 extending from the waist opening 50 to each leg opening 52, a pair of elastomeric back side panels 134 extending from the waist opening 50 to each leg opening 52, a pair of standing butt seams 88, a pair of lap side seams 100 extending from the waist opening 50 to each leg opening 52 and positioned between the elastomeric front and back side panels 34, 134, an elastomeric front waistband 54 disposed on the front side 22 and positioned between the pair of elastomeric front side panels 34, an elastomeric back waistband 56 disposed on the back side 24 and positioned between the pair of elastomeric back side panels 134, and at least a pair of the leg elastic members 58 which partially encircle each leg opening 52. More preferably, more than one leg elastic member 58 partially or fully encircles each leg opening 52. Each leg elastic member 58 extends from adjacent an elastomeric front side panel 34 on the front side 22 to adjacent an elastomeric back side panel 134 on the back side 24.

As described herein, the various components of the absorbent garment 20 can be integrally assembled together employing various types of suitable attachment means, such as adhesive, sonic and thermal bonds or combinations thereof. The resulting product is an absorbent garment having refastenable side seams that can be opened for donning or removal at either side of the garment.

It will be appreciated that details of the foregoing embodiments, given for purposes of illustration, are not to be construed as limiting the scope of this invention. Although only a few exemplary embodiments of this invention have been described in detail above, those skilled in the art will readily appreciate that many modifications are possible in the exemplary embodiments without materially departing from the novel teachings and advantages of this invention. Accordingly, all such modifications are intended to be included within the scope of this invention, which is defined in the following claims and all equivalents thereto. Further, it is recognized that many embodiments may be conceived that do not achieve all of the advantages of some embodiments, particularly of the preferred embodiments, yet the absence of a particular advantage shall not be construed to necessarily mean that such an embodiment is outside the scope of the present invention.

WE CLAIM:

1. A method of producing refastenable side seams in an absorbent garment, comprising the steps of:

aligning a plurality of garment assemblies in a cross direction, each garment assembly including a chassis with two back side panels and two front side panels, wherein adjacent garment assemblies are joined between a back side panel and a front side panel;

bonding a fastening component to each of the front side panels of each garment assembly;

separating the front side panels of adjacent garment assemblies from one another by cutting between the joined front side panels;

spacing apart adjacent front side panels of adjacent garment assemblies, creating a gap between the fastening components of adjacent garment assemblies;

applying a mating fastening component over the gap and over two adjacent fastening components on adjacent garment assemblies;

folding the garment assemblies to place the mating fastening components on the front side panels in contact with the back side panels;

bonding the mating fastening components to the back side panels; and

separating adjacent garment assemblies from one another by cutting through the bonded portions of the mating fastening components and the back side panels.

2. The method of Claim 1, further comprising the step of placing the plurality of garment assemblies on a vacuum device in the cross direction.

3. The method of Claim 1 wherein the fastening components are bonded to an inner surface of the garment assemblies.

4. The method of Claim 1 wherein the fastening components are bonded to an outer surface of the garment assemblies.

5. The method of Claim 1 wherein the gap between the fastening components of adjacent garment assemblies is between about 0.25 inch and about 1.0 inch.

6. The method of Claim 1, further comprising the step of cutting out a section of each of the joined front side panels to create the gap between the fastening components of adjacent garment assemblies.

7. The method of Claim 1 wherein the step of bonding the mating fastening components to the back side panels results in standing butt seams.

8. The method of Claim 1 wherein the fastening component comprises a hook material and the mating fastening component comprises a loop material.

9. The method of Claim 1 wherein the fastening component comprises a loop material and the mating fastening component comprises a hook material.

10. A method of producing refastenable side seams in an absorbent garment, comprising the steps of:

aligning a plurality of garment assemblies in a cross direction, each garment assembly including a chassis with two back side panels and two front side panels, wherein adjacent garment assemblies are joined between a back side panel and a front side panel;

bonding a fastening component to each of the back side panels of each garment assembly;

separating the back side panels of adjacent garment assemblies from one another by cutting between the joined back side panels;

spacing apart adjacent back side panels of adjacent garment assemblies, creating a gap between the fastening components of adjacent garment assemblies;

applying a mating fastening component over the gap and over two adjacent fastening components on adjacent garment assemblies;

folding the garment assemblies to place the mating fastening components on the back side panels in contact with the front side panels;

bonding the mating fastening components to the front side panels; and

separating adjacent garment assemblies from one another by cutting through the bonded portions of the mating fastening components and the front side panels.

11. The method of Claim 10, further comprising the step of placing the plurality of garment assemblies on a vacuum device in the cross direction.

12. The method of Claim 10 wherein the fastening components are bonded to an inner surface of the garment assemblies.

13. The method of Claim 10 wherein the fastening components are bonded to an outer surface of the garment assemblies.

14. The method of Claim 10 wherein the gap between the fastening components of adjacent garment assemblies is between about 0.25 inch and about 1.0 inch.

15. The method of Claim 10, further comprising the step of cutting out a section of each of the joined back side panels to create the gap between the fastening components of adjacent garment assemblies.

16. The method of Claim 10 wherein the step of bonding the mating fastening components to the front side panels results in standing butt seams.

17. The method of Claim 10 wherein the fastening component comprises a hook material and the mating fastening component comprises a loop material.

18. The method of Claim 10 wherein the fastening component comprises a loop material and the mating fastening component comprises a hook material.

19. A method of producing refastenable side seams in an absorbent garment, comprising the steps of:

bonding a fastening component along each of a first side panel and a second side panel of a garment assembly;

applying a mating fastening component over each of the fastening components;

folding the garment assembly to place the mating fastening component on the first side panel in contact with a third side panel, and the mating fastening component on the second side panel in contact with a fourth side panel;

bonding the mating fastening components to the third and fourth side panels.

20. The method of Claim 19 wherein the first and second side panels comprise front side panels and the third and fourth side panels comprise back side panels.

21. The method of Claim 19 wherein the first and second side panels comprise back side panels and the third and fourth side panels comprise front side panels.

22. The method of Claim 19 further comprising the step of placing the garment assembly on a vacuum device in a cross direction.

23. The method of Claim 19 wherein the fastening components and the mating fastening components are bonded to an inner surface of the garment assembly.

24. The method of Claim 19 wherein the fastening components and the mating fastening components are bonded to an outer surface of the garment assembly.

25. The method of Claim 19 wherein the fastening component comprises a hook material and the mating fastening component comprises a loop material.

26. The method of Claim 19 wherein the fastening component comprises a loop material and the mating fastening component comprises a hook material.

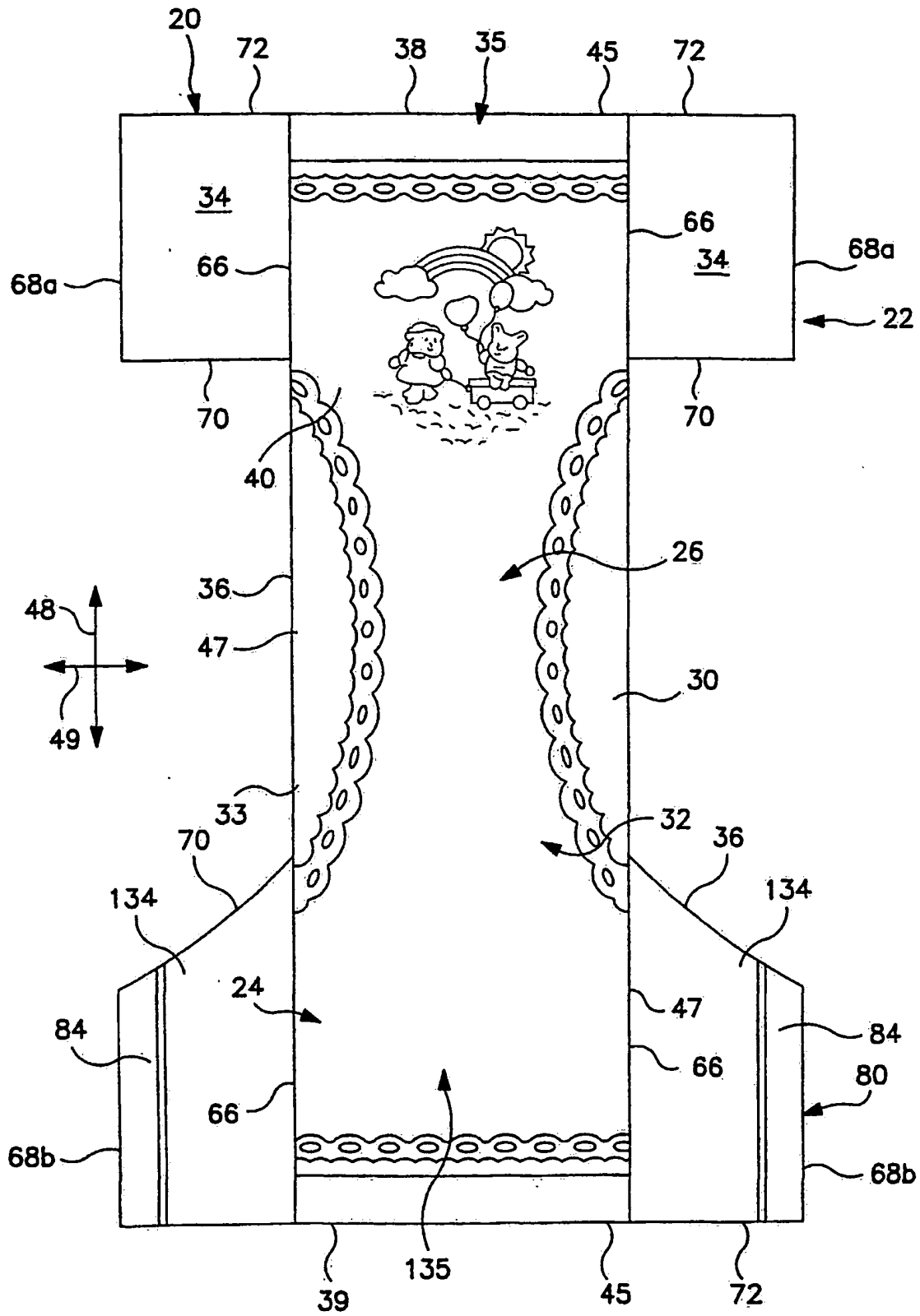


FIG. 2

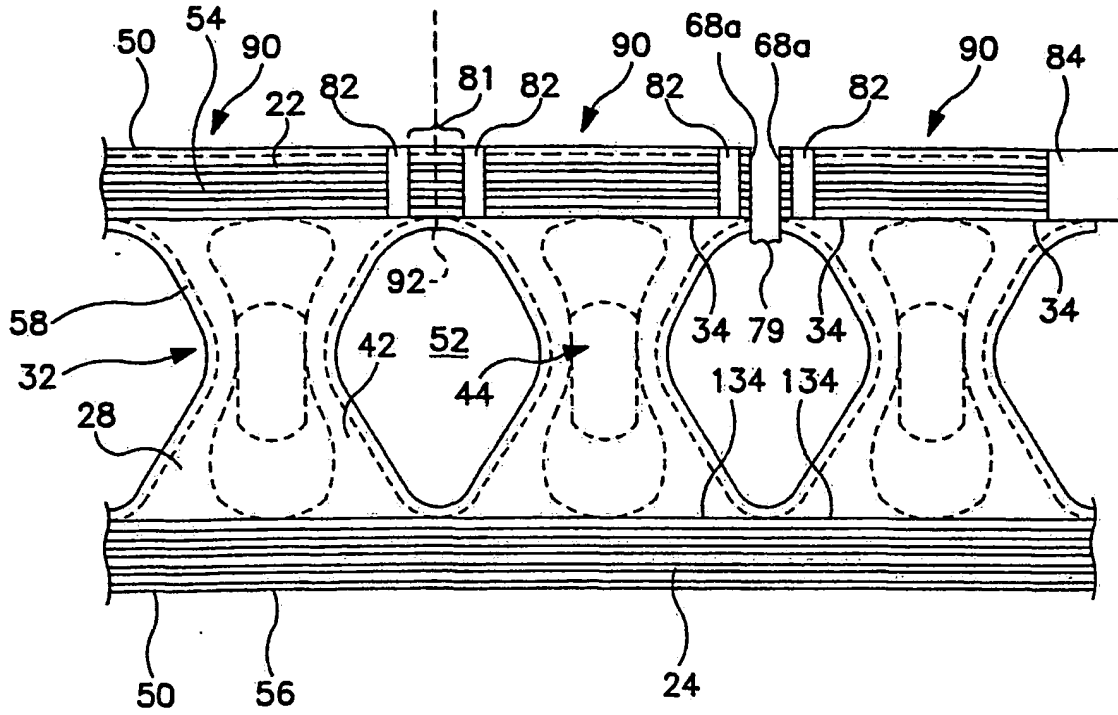


FIG. 4

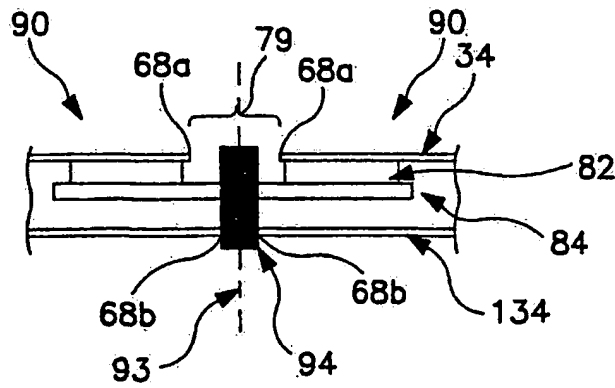


FIG. 5

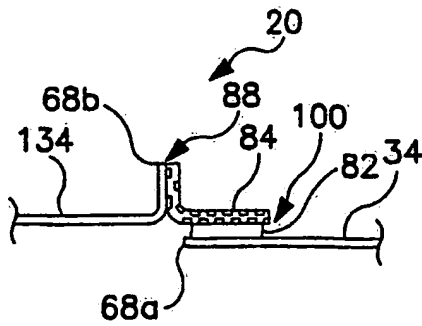


FIG. 6

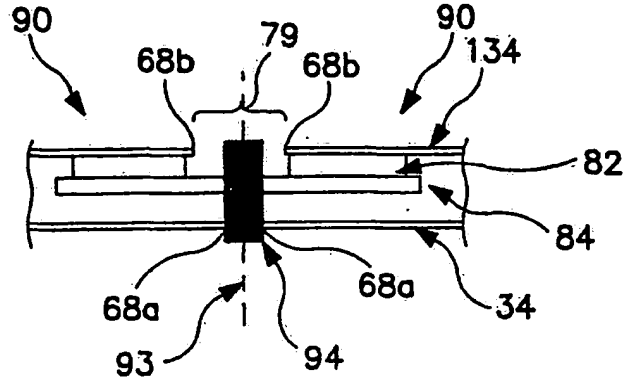


FIG. 7

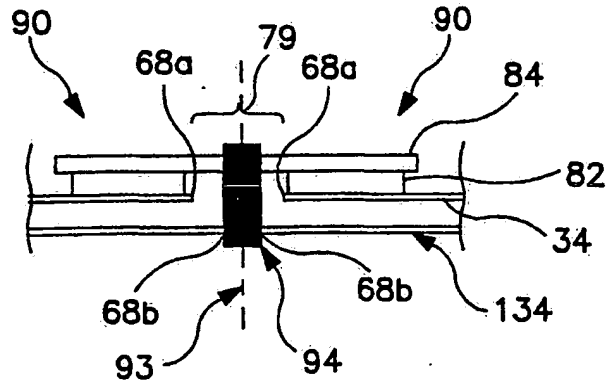


FIG. 8

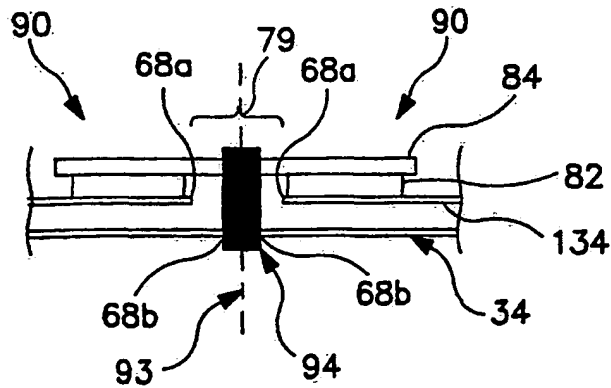


FIG. 9

INTERNATIONAL SEARCH REPORT

International Application No

PC/US 01/15252

A. CLASSIFICATION OF SUBJECT MATTER
 IPC 7 A61F13/15 A61F13/56

According to International Patent Classification (IPC) or to both national classification and IPC

B. FIELDS SEARCHED

Minimum documentation searched (classification system followed by classification symbols)
 IPC 7 A61F

Documentation searched other than minimum documentation to the extent that such documents are included in the fields searched

Electronic data base consulted during the international search (name of data base and, where practical, search terms used)

EPO-Internal

C. DOCUMENTS CONSIDERED TO BE RELEVANT

Category *	Citation of document, with indication, where appropriate, of the relevant passages	Relevant to claim No.
X	WO 95 27462 A (GUSTAFSSON ANDERS ;MOELNLYCKE AB (SE); WIDLUND URBAN (SE)) 19 October 1995 (1995-10-19) page 5, line 19 -page 8, line 10 page 8, line 34 -page 12, line 10 page 12, line 34 -page 15, line 22; claims; figures	19-26
A		1-18
A	WO 97 23180 A (MOELNLYCKE AB ;FERNFORS INGEMAR (SE)) 3 July 1997 (1997-07-03) claims; figures	1,10

Further documents are listed in the continuation of box C.

Patent family members are listed in annex.

* Special categories of cited documents:

- *A* document defining the general state of the art which is not considered to be of particular relevance
- *E* earlier document but published on or after the international filing date
- *L* document which may throw doubts on priority claim(s) or which is cited to establish the publication date of another citation or other special reason (as specified)
- *O* document referring to an oral disclosure, use, exhibition or other means
- *P* document published prior to the international filing date but later than the priority date claimed

- *T* later document published after the international filing date or priority date and not in conflict with the application but cited to understand the principle or theory underlying the invention
- *X* document of particular relevance; the claimed invention cannot be considered novel or cannot be considered to involve an inventive step when the document is taken alone
- *Y* document of particular relevance; the claimed invention cannot be considered to involve an inventive step when the document is combined with one or more other such documents, such combination being obvious to a person skilled in the art.
- *Z* document member of the same patent family

Date of the actual completion of the international search

15 October 2001

Date of mailing of the international search report

29/10/2001

Name and mailing address of the ISA

European Patent Office, P.B. 5818 Patentlaan 2
 NL - 2280 HV Rijswijk
 Tel. (+31-70) 340-2040, Tx. 31 651.epo.nl,
 Fax (+31-70) 340-3016

Authorized officer

Douskas, K

INTERNATIONAL SEARCH REPORT

Information on patent family members

International Application No

PCT/US 01/15252

Patent document cited in search report	Publication date	Patent family member(s)	Publication date
WO 9527462	A	19-10-1995	SE 508612 C2 19-10-1998
			AT 183634 T 15-09-1999
			AU 687548 B2 26-02-1998
			AU 2271495 A 30-10-1995
			CA 2187366 A1 19-10-1995
			CN 1146718 A 02-04-1997
			CZ 9602993 A3 12-03-1997
			DE 69511688 D1 30-09-1999
			DE 69511688 T2 17-02-2000
			DK 755238 T3 27-03-2000
			EP 0755238 A1 29-01-1997
			FI 964086 A 11-10-1996
			GB 2288314 A , B 18-10-1995
			HU 77686 A2 28-07-1998
			IL 112986 A 14-07-1999
			IL 112987 A 22-09-1999
			JP 9511427 T 18-11-1997
			NO 964329 A 11-10-1996
			NZ 284183 A 22-09-1997
			PL 316682 A1 03-02-1997
			SE 9401227 A 13-10-1995
			WO 9527462 A1 19-10-1995
			SK 126896 A3 06-08-1997
			US 6210388 B1 03-04-2001
WO 9723180	A	03-07-1997	SE 508214 C2 14-09-1998
			AU 708093 B2 29-07-1999
			AU 1215397 A 17-07-1997
			BR 9612229 A 13-07-1999
			CZ 9801818 A3 11-11-1998
			EP 0959837 A1 01-12-1999
			GB 2308290 A , B 25-06-1997
			HK 1011606 A1 31-03-2000
			HU 9901548 A2 28-09-1999
			JP 2000502573 T 07-03-2000
			NZ 324878 A 29-06-1999
			PL 327342 A1 07-12-1998
			SE 9504613 A 23-06-1997
			WO 9723180 A1 03-07-1997
			SK 69698 A3 04-11-1998
			TR 9801132 T2 21-09-1998
			US 2001014798 A1 16-08-2001
			ZA 9610109 A 18-06-1997